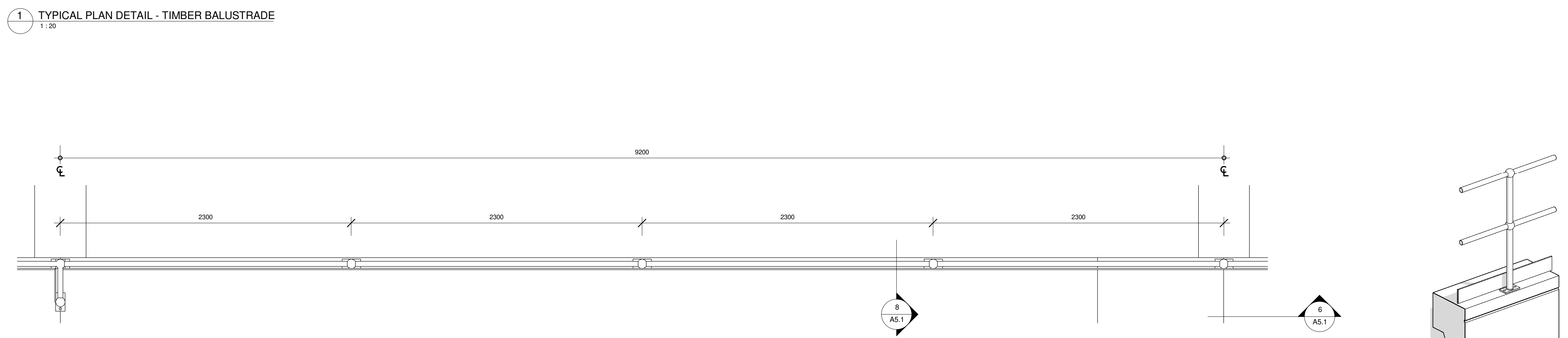
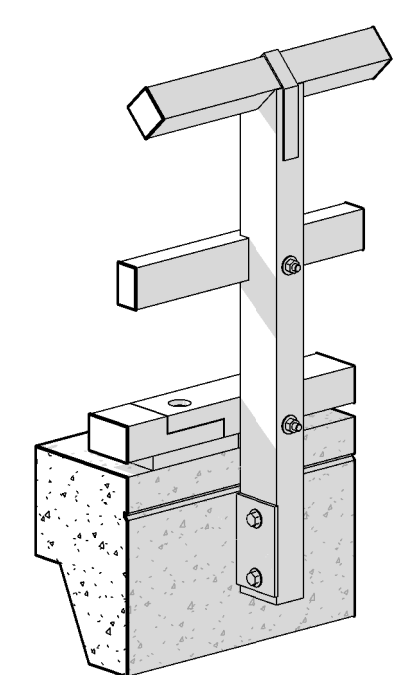


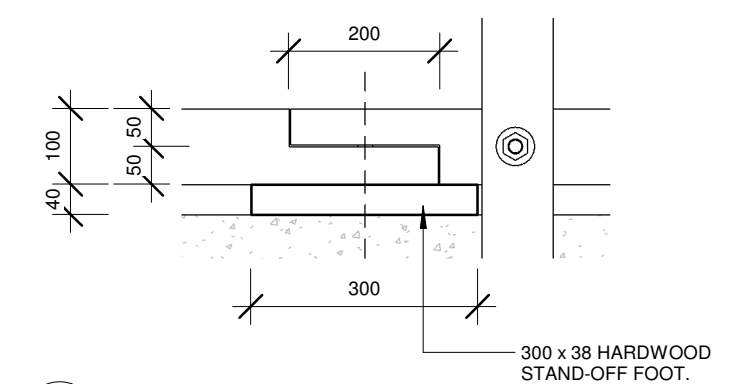
3 TYPICAL SECTION DETAIL - TIMBER BALUSTRADE
A5.1 1:20



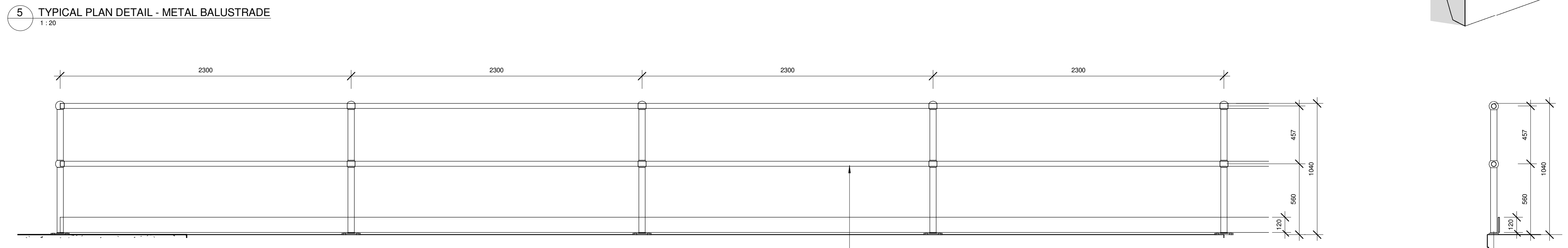
2 TYPICAL ELEVATION DETAIL - TIMBER BALUSTRADE
A5.1 1:20



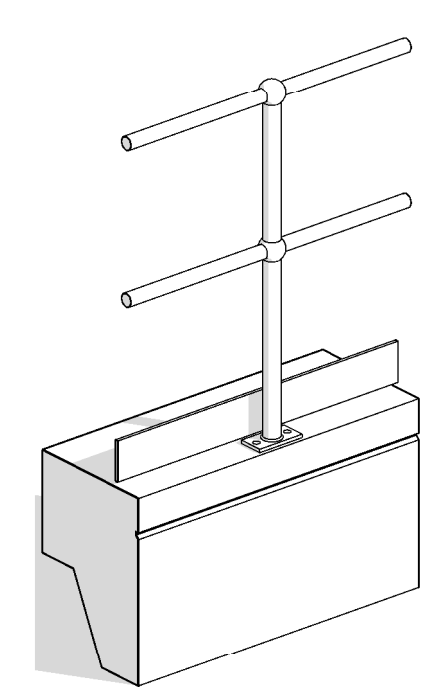
1 TYPICAL PLAN DETAIL - TIMBER BALUSTRADE
A5.1 1:20



2a DETAIL CALLOUT
A5.1 1:10



5 TYPICAL PLAN DETAIL - METAL BALUSTRADE
A5.1 1:20



6 TYPICAL ELEVATION DETAIL - METAL BALUSTRADE
A5.1 1:20

SELECTED PROPRIETARY STEEL
BALUSTRADE SYSTEM
REFER MANUFACTURERS
REQUIREMENTS.

NOT FOR CONSTRUCTION

No.	AMENDMENT	DATE	CHKD
A	DRAFT DETAILED DESIGN	28.04.2019	

H+H architects
58 SERPENTINE RD., ALBANY WA 6330
PO BOX 5427, ALBANY WA 6332
ADMIN@HHARCHITECTS.COM.AU
WWW.HHARCHITECTS.COM.AU
08 9842 5558

ESPERANCE TANKER JETTY
ESPERANCE, WA

DRAWN	PG	SCALE	As indicated	DRAWING
			29/04/2019 5:42:47 PM	TYPICAL HAND RAIL DETAILS

APPROVED	Approver	PROJECT No.	8118-18	DRAWING No.	REVISION
				A5.1	A

ARCHITECTURAL