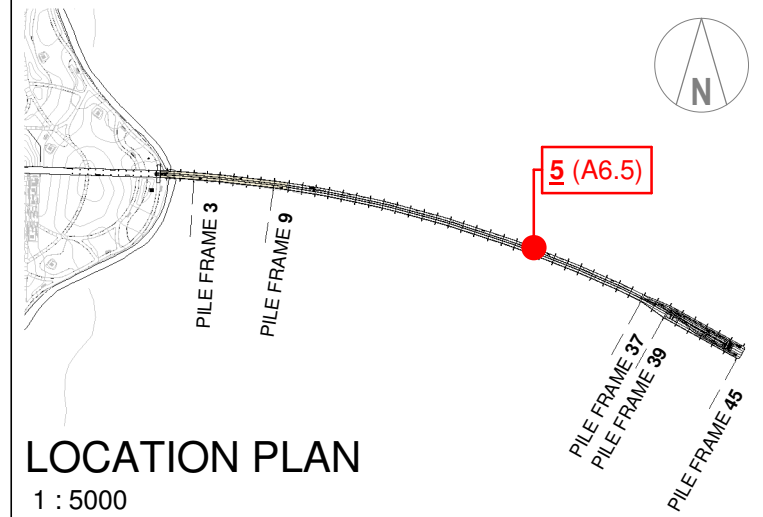
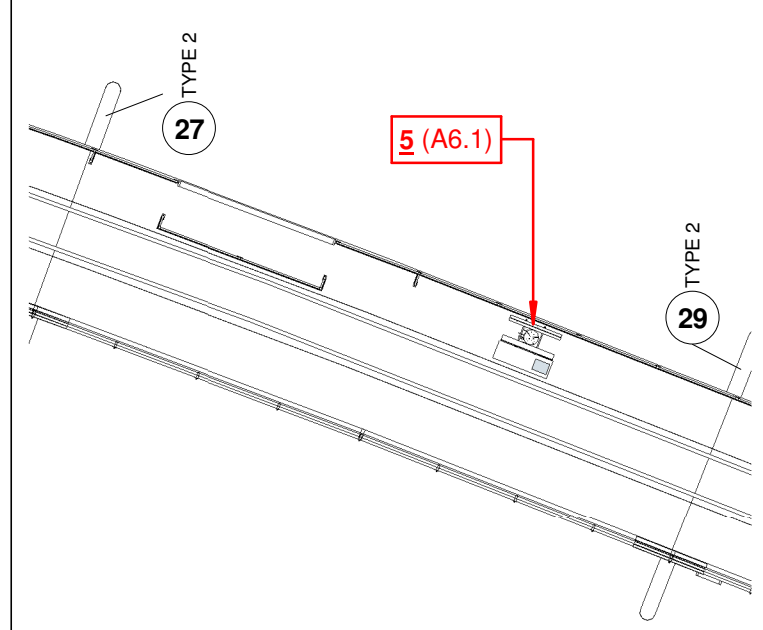


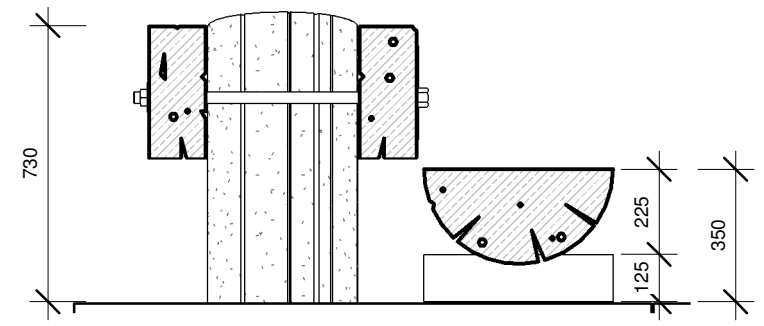
5.1 PLAN DETAIL  
1:20



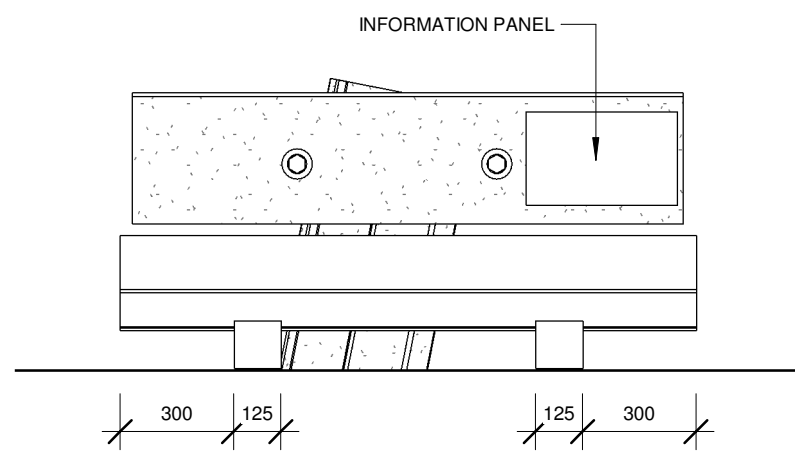
LOCATION PLAN  
1:5000



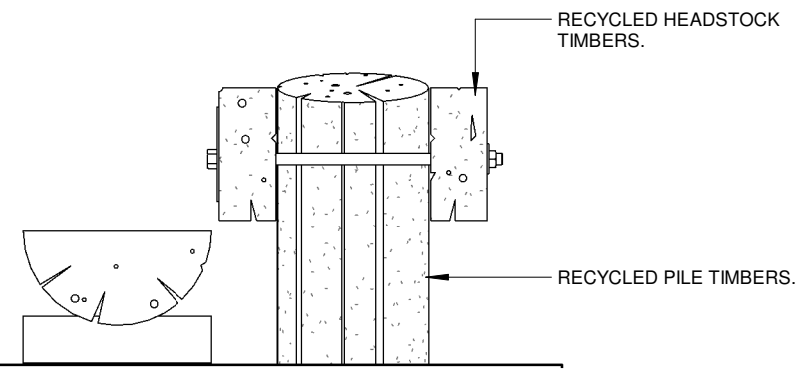
SITE PLAN  
1:200



5.3 SECTION DETAIL  
1:20



5.4 ELEVATION DETAIL  
1:20



5.2 ELEVATION DETAIL  
1:20

NOT FOR CONSTRUCTION

ANY FORM OF REPRODUCTION OF THIS DRAWING IN FULL OR IN PART WITHOUT WRITTEN PERMISSION FROM HOWARD + HEAVER ARCHITECTS. CONSTITUTES AN INFRINGEMENT OF COPYRIGHT. CONTRACTOR TO CHECK AND VERIFY ALL DIMENSIONS, LEVELS & ANGLES ON SITE PRIOR TO COMMENCEMENT OF WORK. THIS IS A CAD DRAWING. DO NOT SCALE

rev	date	description

PO BOX 5427 ALBANY WA 6332  
T 9842 5558  
F 9842 3936  
E admin@hharchitects.com.au

project	ESPERANCE TANKER JETTY
client	SHIRE OF ESPERANCE
location	ESPERANCE, WA

drawing	INTERP. ELEMENT 5 - HEADSTOCK SEAT
cad file -	
drawn PG	project number 8118-18

scale	As indicated
date	22/06
dwg no.	rev.
<b>A6.5</b>	